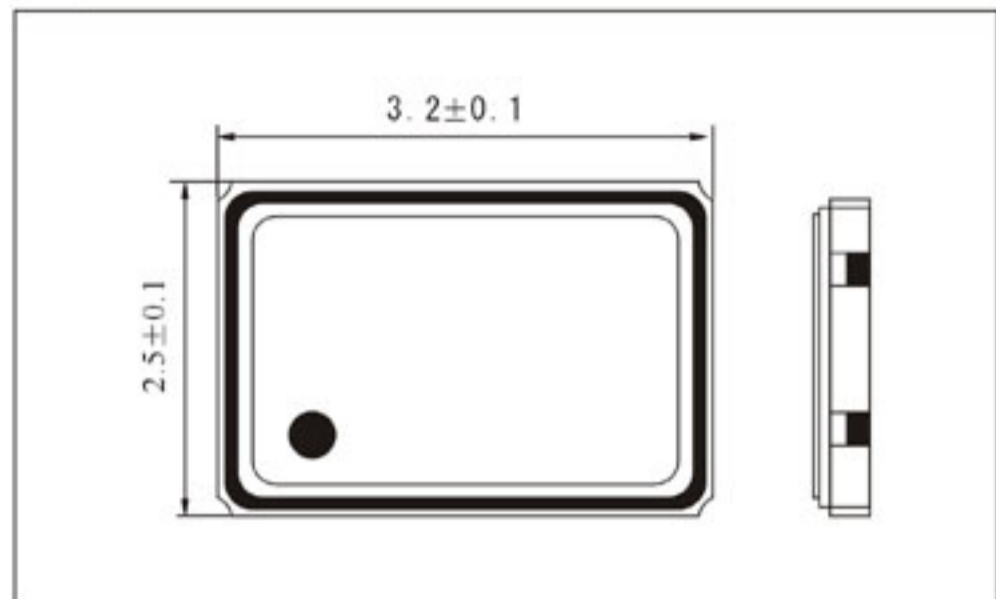


QUARTZ CRYSTAL RESONATOR

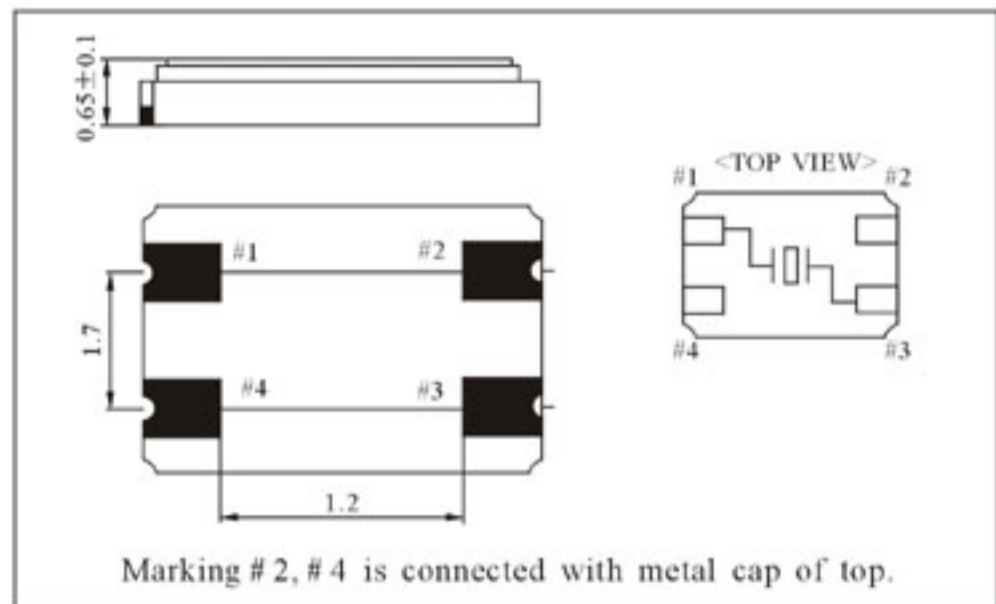
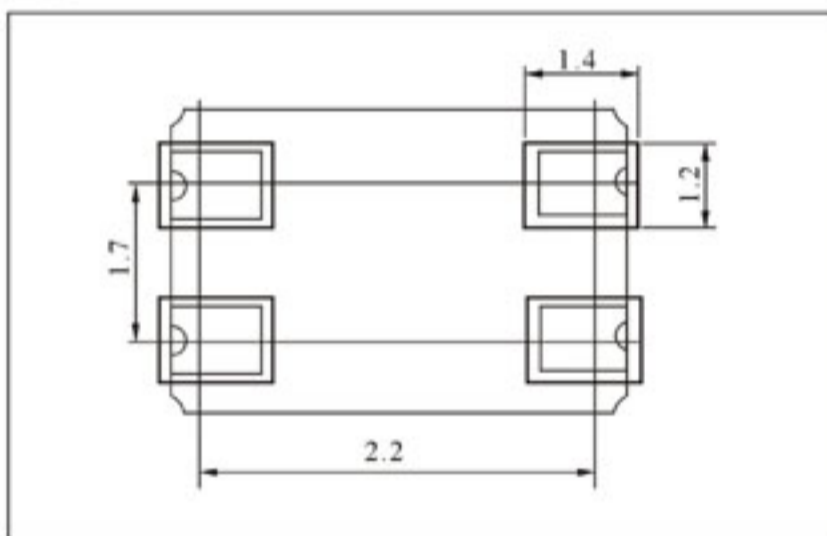
石英晶体谐振器

FTX321S TYPE

DIMENSIONS (Unit:mm) 外形尺寸



LAND PATTERN LAYOUT (EXAMPLE)



PART NUMBER GUIDE 部件号示例 e.g. FTX24.000M20SM3S (*SM3S=3.2X2.5 SMD S-SEAM TYPE)

	Quartz Crystal Resonator 石英晶体谐振器	Frequency 频率	Load Capacitance 负载电容	*Package Type 盒形
FT	X	24.000MHz	20	SM3S

PARAMETERS 技术参数

PARAMETERS	参数	SPECIFICATION 规格	
Frequency Range	频率范围	10MHz~ 40MHz	30MHz~ 50MHz
Operation Mode	振动模式	Fundamental	Fundamental
Load Capacitance	负载电容	Series 8pF,10pF,12pF	Series 8pF,10pF,12pF
Drive Level	激励电平	10uW(300uW Max)	10uW(300uW Max)
Frequency Tolerance	频率偏差	±10ppm ~±50 ppm Std.	±10ppm ~±50 ppm Std.
Motional Resistance	谐振电阻	100Ω max	50 Ω max
Frequency Stability	频率稳定性	±10, ±15, ±20(Unit:ppm)	±10, ±15, ±20(Unit:ppm)
Operating Temp. Range	工作温度范围	-10°C ~ +60°C	-10 °C~ +60°C
Storage Temp. Range	储存温度范围	-40°C ~ +85°C	-40°C ~ +85°C

© All specifications subject change without notice. 规格变化, 恕不另行通知